

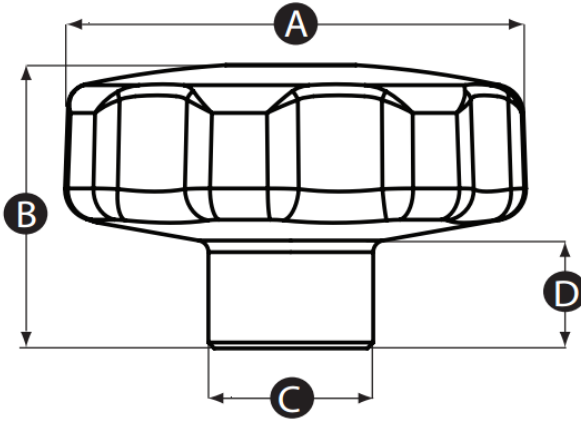
G01TMK Through Thread Metal Lobe Knob

Features

- Solid non-cavity heavy duty stainless steel knob

Material

- Body: Stainless steel, matt finish
- Thread: Machined thread



Part No.	A	B	C	D	Thread Size
G01TMK-12720V	40	24	14	8	M8
G01TMK-12721R	50	31	18	10	M10
G01TMK-12722Y	60	39	20	14	M12